



Controll-A-Door 4 (CAD4)®

PRODUCT CODE
62110 / 62109

Automatic Garage Door Openers



Controll-A-Door 4

Description:

B&D's Controll-A-Door 4 is an automatic garage door opener designed to suit most types of Sectional and Tilting residential garage doors.

3 Piece T-Rail Version

PART NUMBER
62110

Contains:

62196	Powerhead
62149	3 Piece 2.1m T-Rail
OT7099	240V, 40W ES Rough Surface Globe

1 Piece T-Rail Version

PART NUMBER
62109

Contains:

62196	Powerhead
62148	1 Piece 2.4m T-Rail
OT7099	240V, 40W ES Rough Surface Globe

Specifications:

Rated Pull Force:	800N
Motor:	Permanent Split capacitor
Speed:	1500rpm
Voltage:	240V ac 50Hz Only
Current:	2.0 Amperes
Drive Mechanism Gears:	16:1 Worm Gear Reduction
Drive:	Chain with 2-Piece Trolley on steel T-Rail

Length of travel:	62110 - 2.1m 62109 - Extensions kits available 2.4M - kit 62175 or 3.05M - kit 62154
Travel Rate:	127-178mm per second.
Lamp:	40W E - Turns on when the door starts and off automatically after 4.5 minutes.
Door Linkage:	Adjustable Door Arm Pull Cord Trolley Release

Safety

Personal:	Push button and automatic reversal in down direction. Push button and automatic stop in up direction.
Operating Force:	Independent up and down force adjustment screws.
Electrical:	Motor overload protector and low voltage push button wiring.

Dimensions

Length (Overall)	3.1m (62110)
Headroom Required:	5cm above max door opening height.
Hanging Weight:	14.5Kg

Receiver

Remote control transmitter frequency:	433.92 MHz
Remote control Transmitter battery:	2 x 3 Volt
Smart codes:	12
DIP Switch code:	1
Keypad Code:	1

Features:

- Available in either T-Rail system or SSR (structural steel rail) Oct 2001 to Sept 2002. Refer to Automatic Access System price list for part numbers.
- Vibration isolators standard on CAD4.
- 3 Channel transmitter - 3,486,000,000 codes

See overleaf for continuation of Features...





Controll-A-Door 4 (CAD4)®

PRODUCT CODE
62110 / 62109

Automatic Garage Door Openers

- Full 5 year warranty on the opener including labour to repair when installed by an authorised B&D Dealer. (the transmitter has a 12 month warranty, globes and batteries excluded). One year warranty parts only for DIY installations.
- In-built automatic safety reverse system
- Courtesy light, on for 4 1/2 minutes
- Manual disengagement cord - pull to disengage the opener to manually open the door
- Automatic reset after a power failure
- Smart button receiver - push green button on opener, press transmitter button
- Illuminated wired wall button
- Coax antenna connection
- Dual speed sprockets - speed adjustment for sectional or tilt up (smaller sprocket for tilt doors)
- 433.92MHz frequency.

Method of Operation:

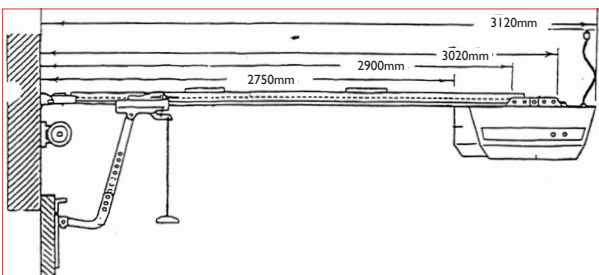
Activate the operator by either the door control button, outside key switch or keyless entry system, the remote control transmitter, or manually open the door. Pulling the release handle down and back toward the operator.

Dimensions:

Max Door Size: 2100mm (H)

N.B. With a 2.4m T-Rail extension the door height may be extended to 2400mm

With a 3.05m T-Rail extension the door height may be extended to 3050mm



STANDARD 2.1 T-RAIL DIMENSIONS

Headroom required (5cm above door at max opening height)

Lifting capacity:

Not to exceed 20kg at any point of travel.

Door movement should be smooth both up and down. Same force should be required in both directions.

Door Type:

Standard Residential Garage Doors, Panelift, Tilting Doors (only Track or Jamb style)

No high cycling doors No counter weight doors

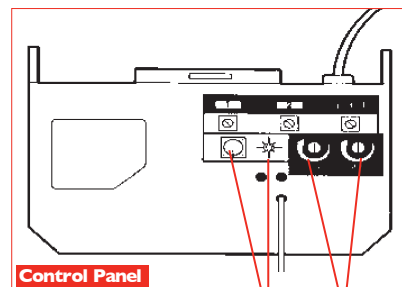
Trouble Shooting & Maintenance:

Weather conditions may cause some minor changes in door operation requiring some re-adjustments, particularly during the first year of operation. Adjustment of the force limits may be required using a screwdriver.

Once a month manually operate the door. If it is unbalanced or binding call for a professional garage door service. Check to be sure door opens and closes fully. Adjust limits and/force if necessary. Also, repeat the safety reverse test. Make any necessary adjustments.

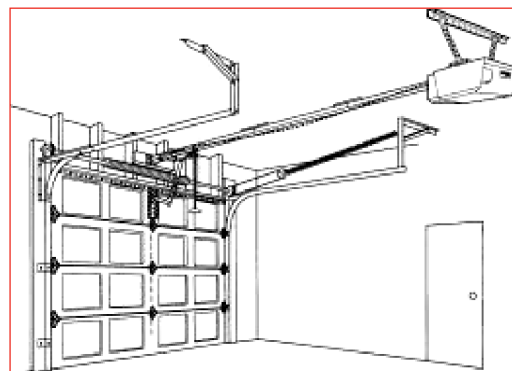
Once a year oil the door rollers, bearings and hinges. Do not grease the door tracks. Lubricate the chain and T-Rail.

Lubricate the worm wheel with a high temperature grease (eg. Castrol APXT).



Control Panel

Code Set "Green" Button Force Adjustment



See overleaf for Spare Parts and Exploded Views...





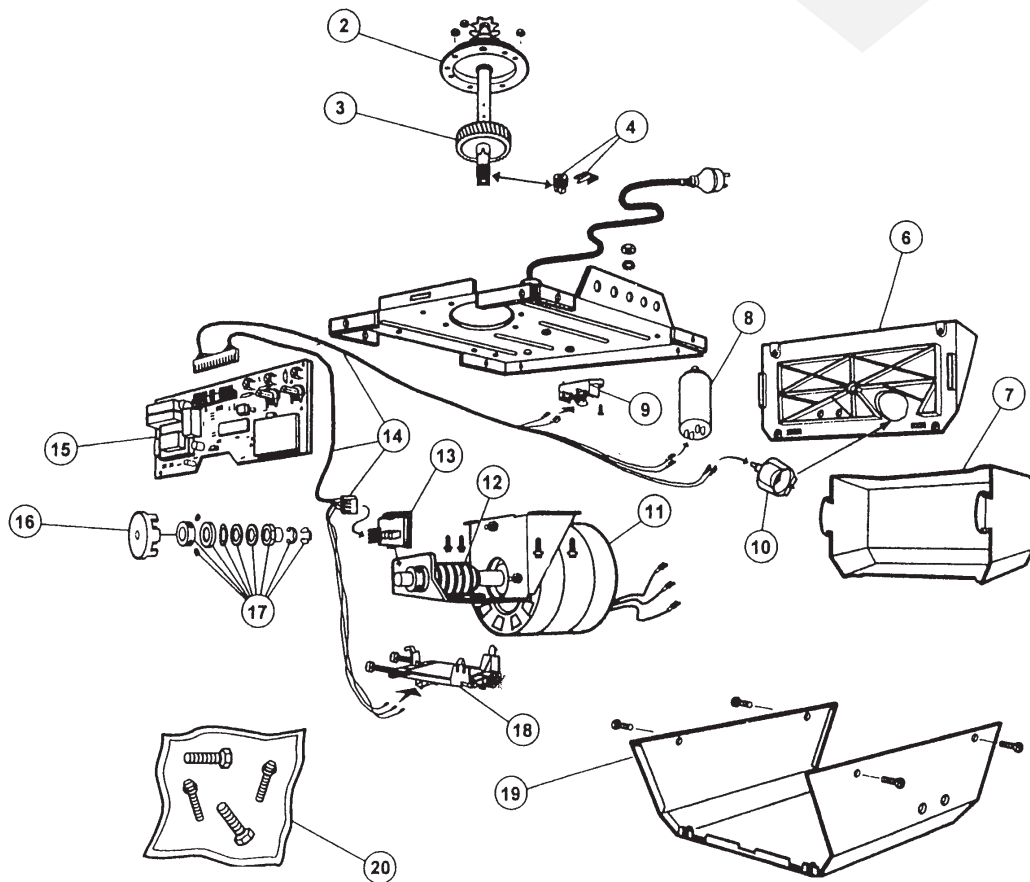
Controll-A-Door 4 (CAD4)[®]

PRODUCT CODE
62110 / 62109

Automatic Garage Door Openers Exploded Views

Power Head

ITEM No.	P/N	DESCRIPTION
2, 3 + 4	62220	Gear & 2-speed Sprocket Assembly CAD4
4	62223	Helical Gear & Retainer CAD4
5	62210	Chain Spreader CAD4
6	62218	Plastic End Panel CAD4
7	62226	Light Lens CAD4
8	62206	Capacitor CAD4
9	62205	AC Terminal block CAD4
10	62227	Light Socket CAD4
11	62230	Motor & Bracket Assembly CAD4
13	62232	RPM Sensor Assembly CAD4
14	62248	Wire Harness CAD4
15 + 1	62233	Receiver/Logic Board Assembly 27MHZ
	62172	Receiver/Logic Board Assembly 4323MHZ
16	62225	Interrupter Cup Assembly CAD4
17	62234	Kit Shaft Bearing CAD4
18	62229	Limit Switch Assembly CAD4
19	62212	Chassis Assembly Hardware CAD4
20	62211	Kit Chassis Assembly Hardware CAD4
3 + 12	62216	Kit Drive/Worm Gear CAD4



Illustrations are only representation of parts and are subject to change.





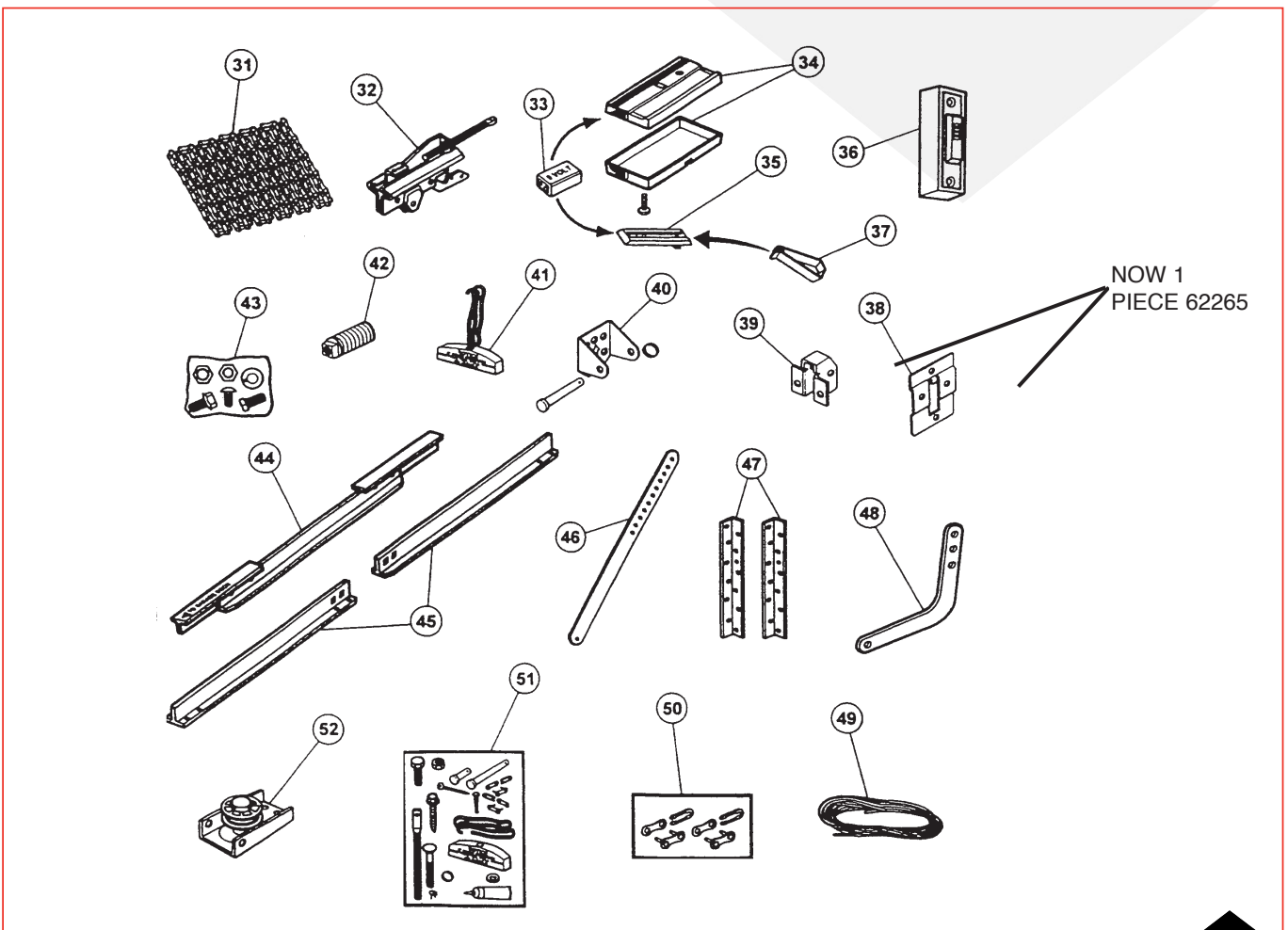
Controll-A-Door 4 (CAD4)[®]

PRODUCT CODE
62110 / 62109

Automatic Garage Door Openers Exploded Views

Track & Transmitter

ITEM No.	P/N	DESCRIPTION
31	62207	Chain CAD4
32	62245	Trolley Assembly CAD4
33		9v Battery
34	62170	3 Channel Transmitter
35	62247	Visor Clip Retainer CAD4
36	62228	Lighted Push Button CAD4
37	62246	Visor Clip CAD4
38/39	62265	Door Bracket CAD4
40	62222	Header Bracket & Pin Assembly CAD4
41	62217	Emergency Rope & handle Assembly CAD4
42	62243	Tensioner Assembly CAD4
43	62237	Kit T-Rail Assembly Hardware (3-pc. rail) CAD4
44	62240	T-Rail Centre (3-pc.rail) CAD4
45	62242	T-Rail End (3-pc.rail) CAD4
46	62235	Door Arm CAD4 Straight
47	62221	Hanging Brackets CAD4
48	62213	Door Arm CAD4 Curved
49	62202	Bell Wire CAD4 2 - Strand
50	62208	Kit Chain Master link CAD4



Illustrations are only representation of parts and are subject to change.

Trademarks registered to B&D Australia Pty. Ltd. ABN 25 010 473 971
Unless otherwise stated, B&D Doors are Australian made. The company reserves the right to make changes or improvements to the products and accessories without notice and without incurring any obligation to make similar changes or improvements to goods previously ordered.

