



Affordable Reliable Service

Factory 11 no 17-23 Keppel Drive Hallam 3803, Victoria

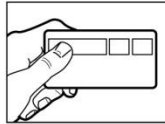
Ph. +61 3 9799 1999

Fax. +61 3 8786 3005

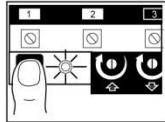
warehouse@aggdoors.com.au

Coding Controll-A-Door®4 Transmitters

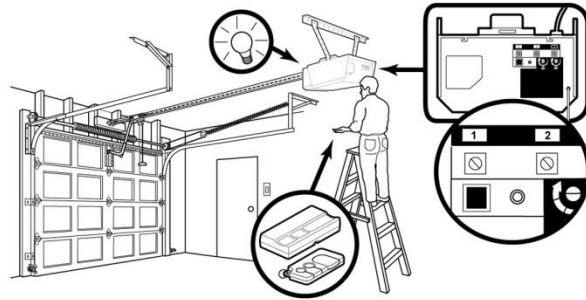
1. Press and hold the button on the hand-held remote* that you wish to operate your garage door.



2. Press and release the "Smart" button on the back panel of the opener.



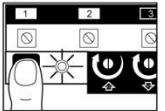
3. The light globe will blink when the code has been accepted. If light globe is not installed, two clicks will be heard.



To Erase All Codes From Opener Receiver Memory

To deactivate any unwanted remote, first erase all codes:

Press and hold the "Smart" button on opener until the smart indicator light goes out (approximately 6 seconds). All previous codes are now erased. Reprogram each remote or keyless entry you wish to use.



***Multi-Function Remotes**

If provided with your garage door opener, the large button is factory programmed to operate it. Additional buttons on any multi-function remote or mini-remote can be programmed to operate other garage door openers.

